

**playfit®**

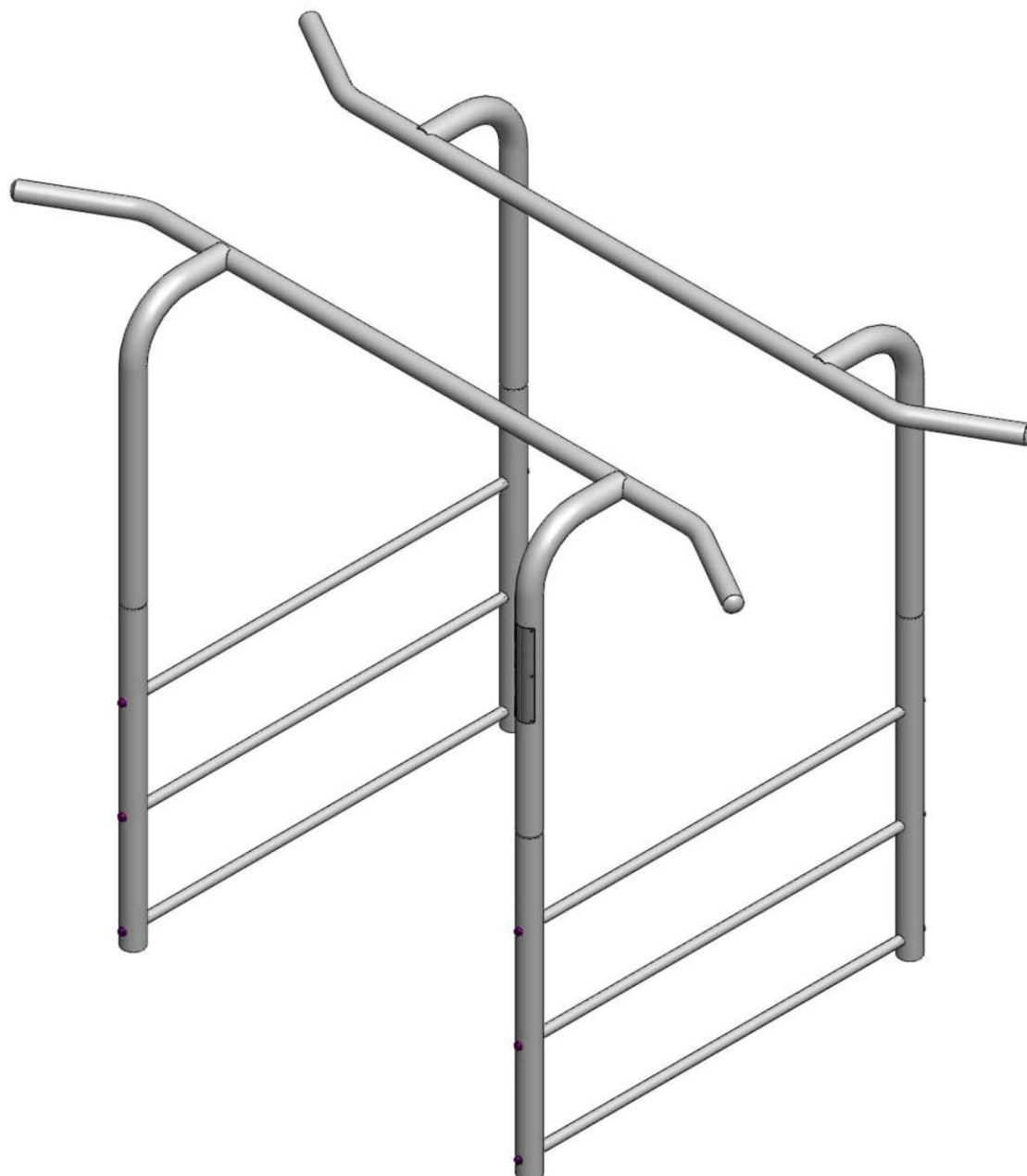
outdoor-fitness

**3D Diagram including Anchorage**  
**3D Darstellung mit Fundamentverankerung**

**JS-0205C**

**Inclusion Bars**  
**Inklusionsbarren**

Date/Stand:  
05.09.2023

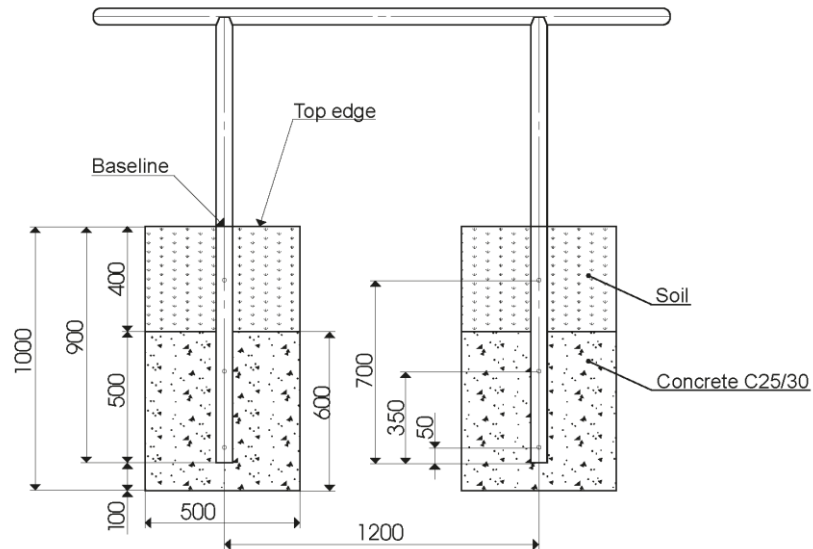


Erstellt von  
**playfit®** RZ

Prüfung und Freigabe:  
Datum, Name

Version: 1/DE

<p><b>playfit®</b> outdoor-fitness</p>	<p align="center"><b>Foundation Plan Fundamentplan JS-0205C Inclusion Bars Inklusionsbarren</b></p>	<p>Date/Stand: 13.12.2023</p>
--	---	-----------------------------------



2 pcs Foundation (L x W x H): 500 mm x 1500 mm x 600 mm

**All dimensions indicated are in millimetres (mm)**

*Diagram is not according to scale (components shown for illustrative purposes only)*

*Baseline marking on support-tubes of playfit® equipment indicates terrain surface and must still be just visible after installation and completion of groundwork.*

<p>Erstellt von <b>playfit®</b> RZ</p>	<p>Prüfung und Freigabe: Datum, Name</p>	<p>Version: 1/EN</p>
--	--	----------------------

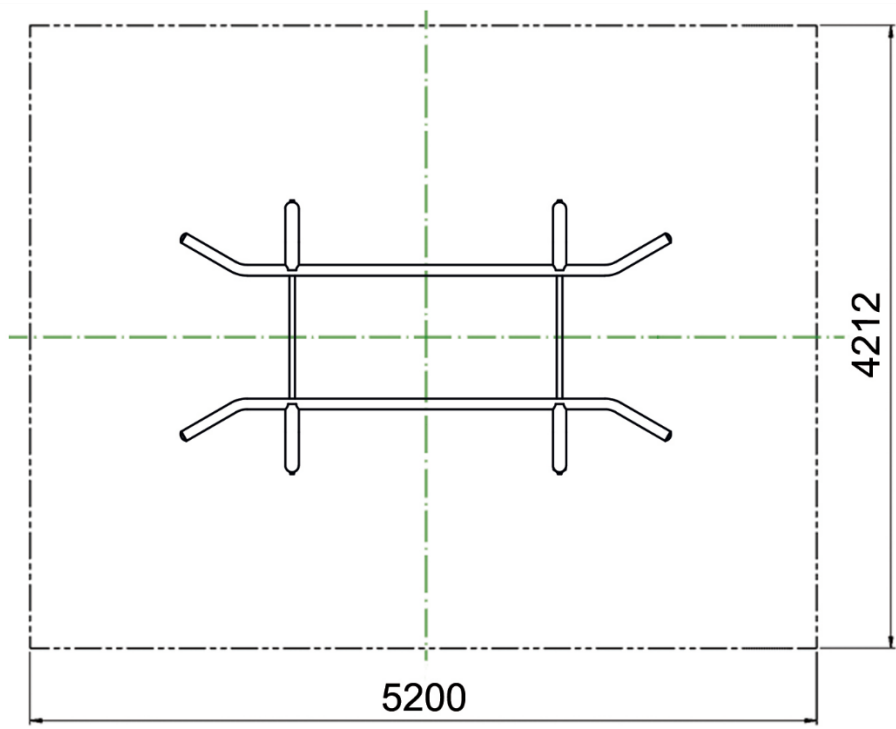
 outdoor-fitness	<b>Foundation Plan Fundamentplan</b> <b>JS-0205C</b> <b>Inclusion Bars Inklusionsbarren</b>	Date/Stand: 13.12.2023
--	---	---------------------------

### Foundations

- This playfit® piece of equipment must be assembled as a whole unit according to the device-specific assembly instructions
- The assembled playfit® piece of equipment must be installed/set in concrete as described in the playfit® Operating Guidelines in Chapter 7 "Assembly Instructions" and in the "Device-Specific Foundation Plans and Technical Data Sheets"
- Specifications of foundations such as dimensions and depth of equipment in foundation: please refer to device-specific Foundation Plan
- The construction of the foundations conforms to EU norms for concrete surfaces EN 206 (additionally in Germany: according to DIN 1045 "Tragwerke aus Beton, Stahlbeton und Spannbeton") and according to accepted practice for carrying-out such work as described in the norms.
- C25/30 is, in general, an acceptable quality for concrete


### Position of the device within the area of movement

Area of movement: 5200 mm x 4212 mm

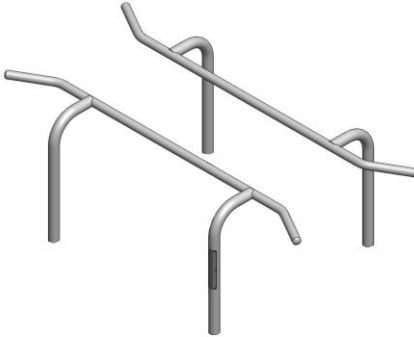



All dimensions in mm

**Required surface material:** see Technical Data Sheet

Erstellt von  RZ	Prüfung und Freigabe: Datum, Name	Version: 1/EN
--	--------------------------------------	---------------

 outdoor-fitness	<b>Technical Data Sheet</b> <b>Gerätedatenblatt</b> <b>JS-0205C</b> <b>Inclusion Bars</b> <b>Inklusionsbarren</b>	Date/Stand: 13.12.2023
--	---	---------------------------

Model:  <b>Inclusion Bars</b>	
<b>Model No.</b>	<b>JS-0205C</b>
<b>Equipment dimension</b> <ul style="list-style-type: none"> <li>▪ Base area (Length x Width)</li> <li>▪ Total height</li> <li>▪ Height above ground surface</li> </ul>	2200 mm x 1212 mm 1.700 mm 800 mm
<b>Training space</b> Length x Width x Height	5200 mm x 4212 mm x 2200 mm
<b>Free height of fall</b>	800 mm
<b>Movement space</b> Length x Width x Height	5200 mm x 4212 mm x 2200 mm
<b>Required surface material</b> The required surface material only needs to adequately cover the area directly above the foundations and not the entire surface area of the movement space to avoid the foundations becoming exposed and possible injuries resulting from this.	Concrete/Stone, Bitumen-bonded surfaces or synthetic impact attenuating materials <i>(construction-conditioned no topsoil, lawn or loose bulk materials)</i>
<b>Weight of apparatus</b> (± 2 kg)	61.2 kg
<b>Weight of heaviest component</b> (± 1 kg)	Handle Bar (Part No. 1+2): 23.7 kg
<b>Dimension of largest component</b>	Handle Bar (Part No. 1+2): 2200 mm x 1700 mm x 330 mm
<b>Components most susceptible to wear &amp; tear</b>	None
<b>Specifications of foundation</b> <ul style="list-style-type: none"> <li>▪ Number required</li> <li>▪ Base area</li> <li>▪ Total depth</li> <li>▪ Depth of apparatus in foundation</li> <li>▪ Depth of apparatus below base line</li> </ul>	2 per model 1500 mm x 500 mm 600 mm 500 mm 900 mm

Erstellt von  RZ	Prüfung und Freigabe: Datum, Name	Version: 1/DE
--	--------------------------------------	---------------